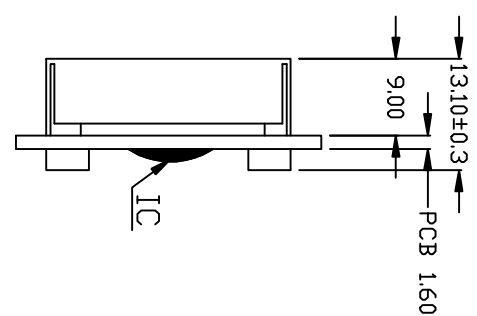
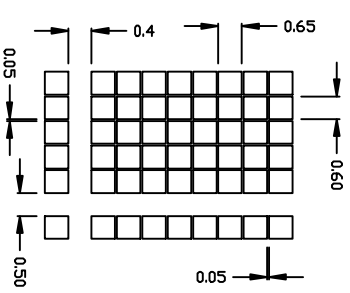
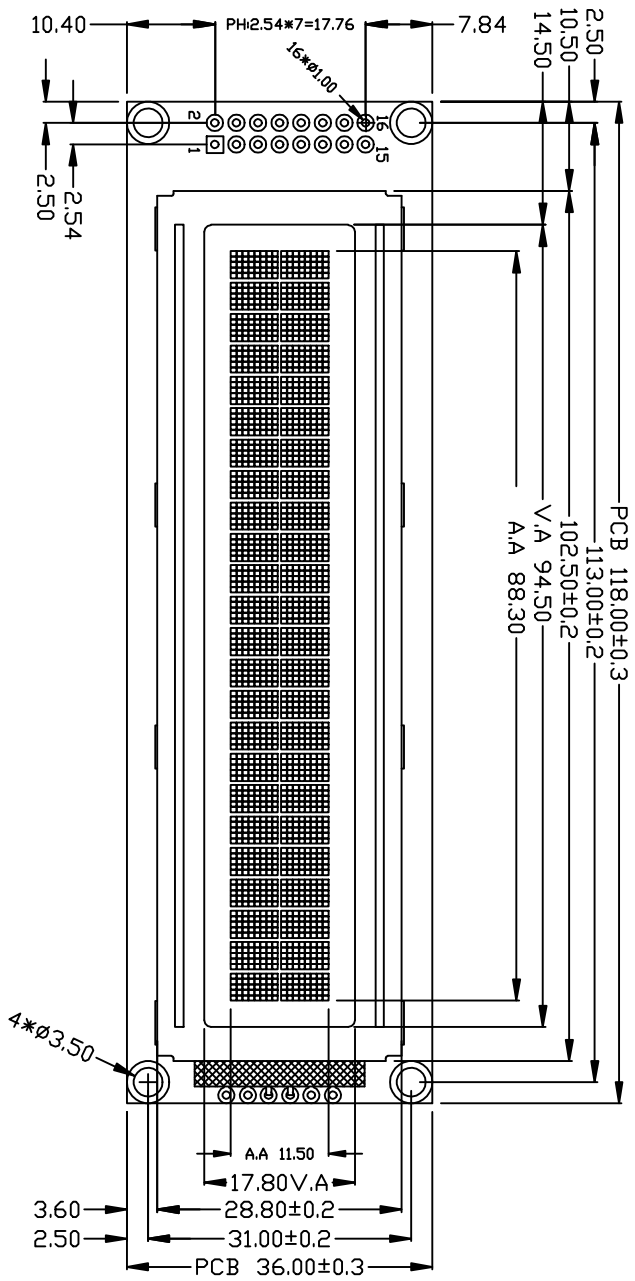


INTERFACE	
1	VSS
2	VDD(5V)
3	V0
4	RS
5	RW
6	E
7	DB0
8	DB1
9	DB2
10	DB3
11	DB4
12	DB5
13	DB6
14	DB7
15	LED-A(5V)
16	LED-K



SPECIFICATION:

- 1). STN(Y-G) / POSITIVE / TRANSPARENT
- 2). DUTY: 1/16. BIAS: 1/5. VOP=4.7V
- 3). VIEWING ANGLE: 6 0' CLOCK
- 4). OPERATING TEMPERATURE: -20~70°C
STORAGE TEMPERATURE: -30~80°C
- 5). BACKLIGHT: Y-G I=40MA
- 6). DRIVE POWER: VDD=5.0V

由 Autodesk 教育版产品制作

由 Autodesk 教育版产品制作

深圳市金彩科技有限公司

Designed By: WZD	DATE:	MODE NUMBER: LCH2402A	PROJECTION:	SHEET: 1 OF 1
CHECKED BY:		DO NOT SCALE THIS DRAWING		
CUSTOMER:				